

VHF/UHF S65-8282-468

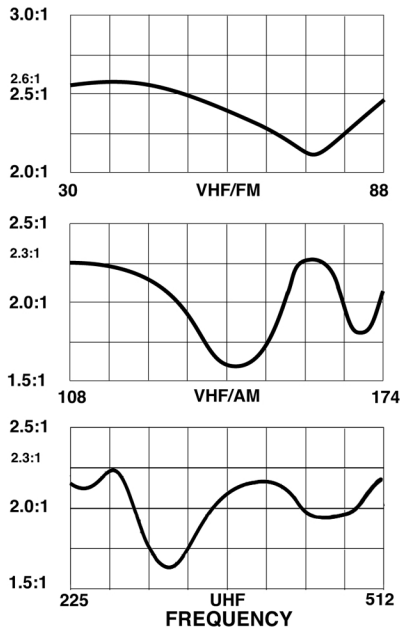


DESCRIPTION

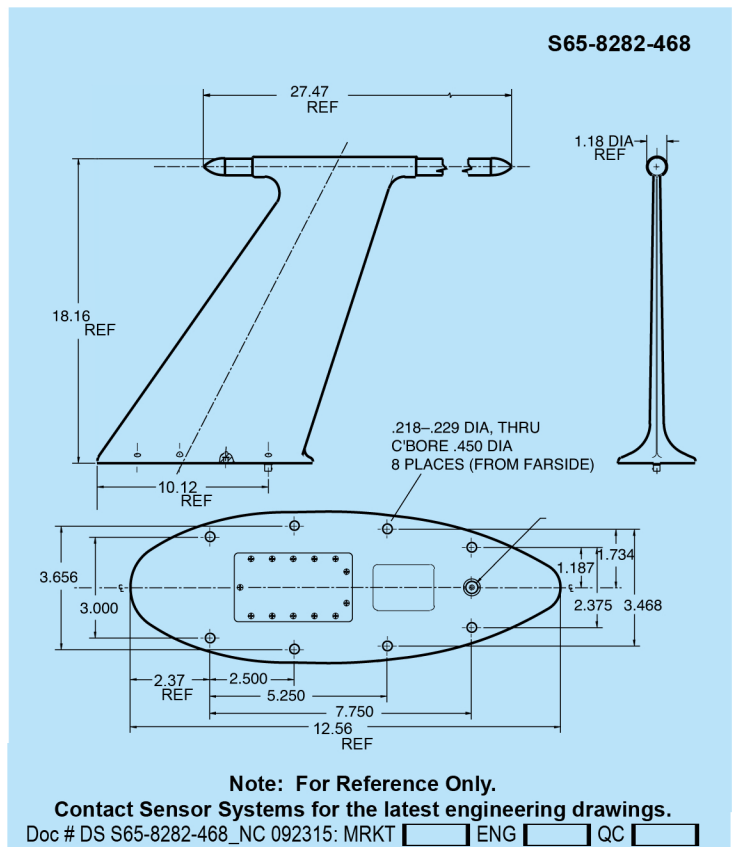
S65-8282-468: A top-loaded, high-gain antenna tuned through the 30 - 512 MHz frequency band for use with Collins ARC-210, Raytheon ARC-231, Rhode & Schwarz M3AR 6000, Harris AN/PRC 117 and similar radios. Features an 8-hole bolt pattern compatible with Collins 437 S1 series antennas. Unit is hermetically-sealed and ruggedly constructed to assure continued functionality in extreme environments. BNC female connector. Ideal for usage in a variety of airborne installations from UAVs to cargo and transport type fixed-wing aircraft.

FEDERAL & MILITARY SPECS: MIL-C-5400H, MIL-E-5272C, MIL-A-7772B (ASG).

PERFORMANCE



SPECIFICATIONS			
MODEL	S65-8282-468		
ELECTRICAL	VHF/FM	VHF/AM	UHF
Frequency	30-88 MHz	108-174 MHz	225-512MHz
VSWR	≤2.6:1	≤2.3:1	≤2.3:1
Gain dBi	30 MHz: -14 88 MHz: -5	108-174 MHz: -4 /+1	225-512 MHz: +3 / +1, 0
Pattern	Omnidirectional in Azimuth Cosinusoidal in Elevation		
Polarization	Vertical		
Impedance	50 ohms		
Power	100 watts, 50% duty cycle		
Lightning Protection	DC grounded		
MECHANICAL			
Weight	4.50 lbs.		
Height	18.16 in.		
Material	6061-T61 aluminum/glass MIL-P-18177		
Finish	BNC Connector		
Connector	Skydrol Resistant Polyurethane		
Drag	2.8 lbs. Mach .85 @ 35,000 ft.		
ENVIRONMENTAL			
Temperature	-53°C (-65°F) to +71°C (+160°F)		
Altitude	60,000 ft.		



Sensor Systems, Inc. 8929 Fullbright Ave., Chatsworth, CA 91311 Ph: 818-341-5366 Fax: 818-341-9059
Email: productinfo@sensorantennas.com www.sensorantennas.com